

ST-48 / ST-72 / ST-49 / ST-96

ST Series

Temperature PID Controllers

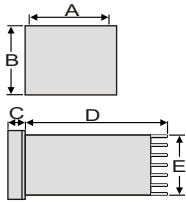


- * CE certification
- * Frequently uses the parameter may freely arrange to commonly used position
- * T/C, RTD. Input selectable
- * Alarm Up to 2 alarm set
- * Pause output
- * 1 Ramp/soak segments
- * Timer
- * Soft start
- * Auto/Manual control mode optional
- * 90V AC to 260V AC 50/60Hz

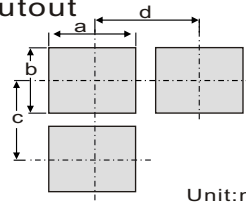
- CE 認證
- 參數可自行規劃
- 溫度訊號可由軟體直接選擇
- 二組警報
- 暫停輸出
- 單段斜率
- 計時器
- 緩啟動
- 手動/自動控制模式選擇
- 交換式電源設計



Dimension



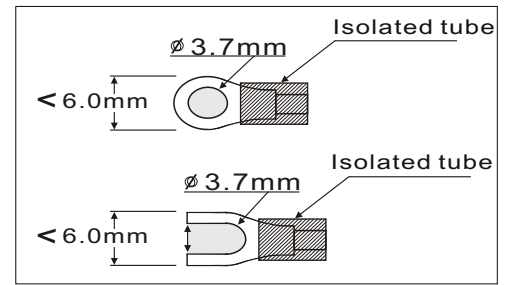
Panel cutout



Unit:mm

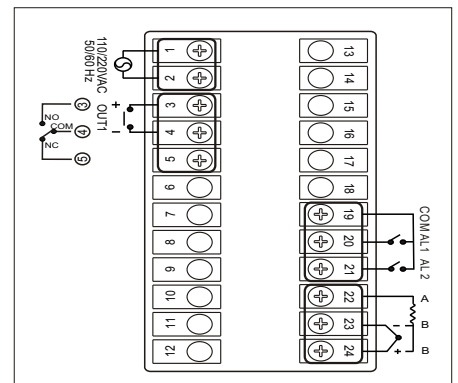
| MODEL | A | B | C | D | E | a | b | c | d |
|-------|----|----|------|----|----|----------------------------------|----------------------------------|-----|-----|
| ST-48 | 48 | 48 | 10.5 | 83 | 45 | 46 ^{+0.5} ₋₀ | 46 ^{+0.5} ₋₀ | 70 | 70 |
| ST-72 | 72 | 72 | 10.5 | 83 | 67 | 68 ^{+0.5} ₋₀ | 68 ^{+0.5} ₋₀ | 100 | 100 |
| ST-49 | 48 | 96 | 10.5 | 83 | 90 | 46 ^{+0.5} ₋₀ | 91 ^{+0.5} ₋₀ | 120 | 70 |
| ST-96 | 96 | 96 | 10.5 | 83 | 90 | 91 ^{+0.5} ₋₀ | 91 ^{+0.5} ₋₀ | 120 | 120 |

Available terminal

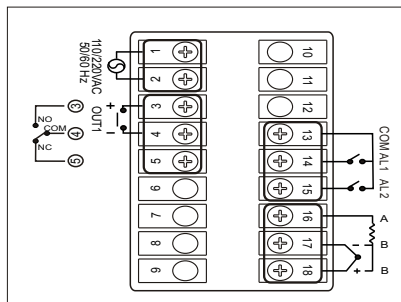


EXTERNAL TERMINAL

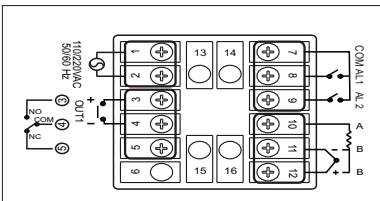
ST-49 / ST-96



ST-72



ST-48



SPECIFICATIONS

| | | |
|------------------------|----------------------------------|---|
| Input Signal | Type of Input | TC (K,J,T,R,E,S,B,N) RTD (Pt100, JPt100) |
| | Input Sampling Time | 300 ms |
| Indication | PV/SV Indication | 4-digit |
| | Constant Value Storage System | Non-volatile memory (EEPROM) |
| Control Mode | Proportional Band (P) | 0.0~3000 |
| | Integral Time (I) | 0~7200 |
| | Derivative Time (D) | 0~1800 |
| | Cycle Time | 0~150 |
| Control Output | Relay Output Relay | Contact, SPST 3A/240V AC |
| | Voltage Output | Voltage Pulse |
| | Linear Output | 4~20mA, 1-5V |
| Alarm | Channel | 2 Channels (Optional) |
| General Specifications | Power Supply Voltage & Frequency | 90~260V AC, 50/60Hz |
| | Power Consumption | <3.5VA |
| | Ambient Temperature | -10°C~55 °C |
| | Ambient Humidity | 0~80% RH |

ORDERING INFORMATION

A TYPE

ST-48 = 48*48
ST-72 = 72*72
ST-49 = 48*96
ST-96 = 96*96

B INPUT

1=K 7=B
2=J 8=N
3=T 9=DIN/PT
4=R A=J IN/ PT
5=E
6=S

C OUTPUT

0=NONE
1=RELAY
2=PULSED
3=4-20MA

D ALARM

0 = NONE
1 = ALARM*1
2 = ALARM*2

| A | B | C | D |
|-------|---|---|---|
| ST-48 | 1 | 1 | 2 |

TYPE = 48*48
INPUT = K
OUTPUT = RELAY
ALARM = ALARM*2